

Features

- Robust 2 and 3 pole contactor
- Convenient mounting plate
- Heavy duty contacts ensure long electrical life
- Continuous duty cycle
- UL/cUL certified

Contact Data*

Full Load Amps (FLA)	Number of Poles	Line Voltage	Locked Rotor Amps (LRA)	Resistive Amps	Maximum Horsepower		
					Voltage	1 Phase	3 Phase
20	2	240/277	120	30	120 240	2 3	n/a
		480	100	30			
		600	80	30			
30	2	240/277	150	40	120 240	2	n/a
		480	125	40			
		600	100	40			
40	2	240/277	240	50	120 240	2	n/a
		480	200	50			
		600	160	50			
40	3	240/277	240	50	110/120	3	-
		480	200	50	200/208	-	10
		600	160	50	240/277	7.5	10
					480	-	20
					600	-	25

Coil Data*

	2 Pole Contactor				3 Pole Contactor			
	24	120	208/240	277	24	120	208/240	277
Nominal Coil Voltage	24	120	208/240	277	24	120	208/240	277
Nominal Coil Resistance Ohms	11	255	1000	1600	7	180	720	900
Maximum Pick-Up Voltage	18	88	177	221	18	88	177	221
Minimum Drop-Out Voltage	6~15	20~70	40~140	50~165	6~15	20~70	40~140	50~165
Minimum Inrush VA@50Hz	31	31	31	31	65	65	65	65
Minimum Inrush VA@60Hz	28	28	28	28	60	60	60	60
Nominal Sealed VA@50Hz	6	6	6	6	7.5	7.5	7.5	7.5
Nominal Sealed VA@60Hz	5	5	5	5	6	6	6	6
Maximum Coil Voltage	30	132	264	300	30	132	264	300

C100

General Data*

Electrical Life @ rated load	100K cycles, average
Mechanical Life	500K cycles, average
Insulation Class	UL Class B (130°C)
Dielectric Strength, Coil to Contact Contact to Contact	2200V rms min. @ sea level 2200V rms min. @ sea level
Contact Termination 20, 30, 40 FLA Models	Type: #10-32 Screw with quad 0.250" Quick Connect Wire size: 16-8 AWG (Stranding must be split for 8AWG wire) Tightening torque: 25 in-lbs Box Lug: 14-4 Cu/Al AWG; Tighten- ing Torque: 40 in-lbs
Operating Temperature	-40°C to +65°C
Storage Temperature	-40°C to +65°C
Arc Cover	Optional on 20-30 FLA Standard on 40 FLA
Weight	1 pole: 8.0 oz (227g) approximately 2 pole: 9.6 oz (273g) approximately

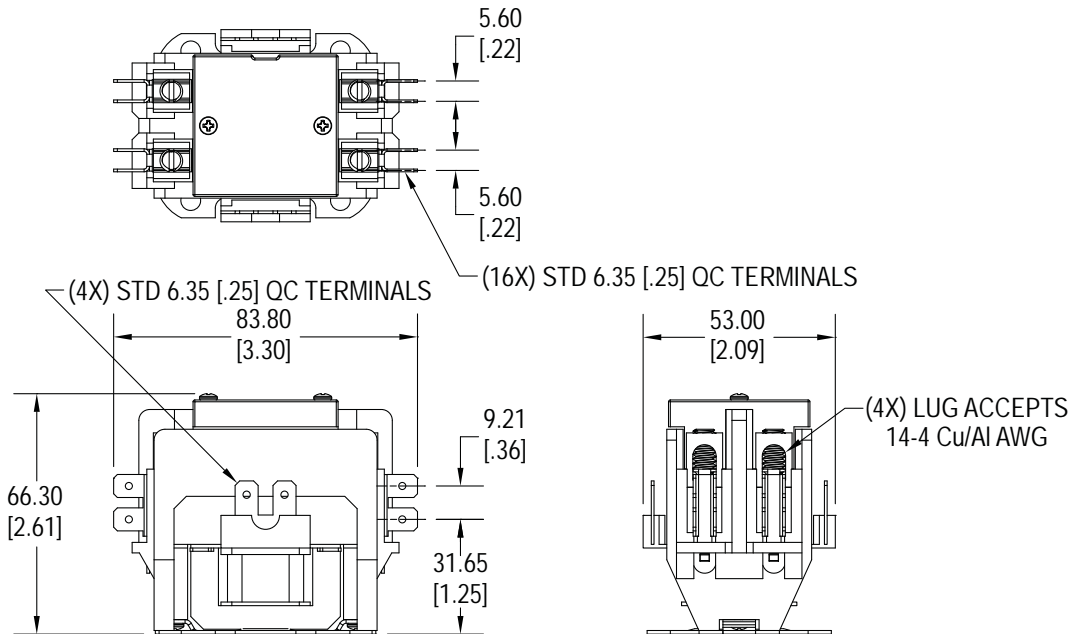
* Values can change due to the switching frequency, desired reliability levels, environmental conditions and in-rush load levels. It is recommended to test actual load conditions for the application. It is the user's responsibility to determine the performance suitability for their specific application. The use of any coil voltage less than the rated coil voltage may compromise the operation of the relay.

Ordering Information

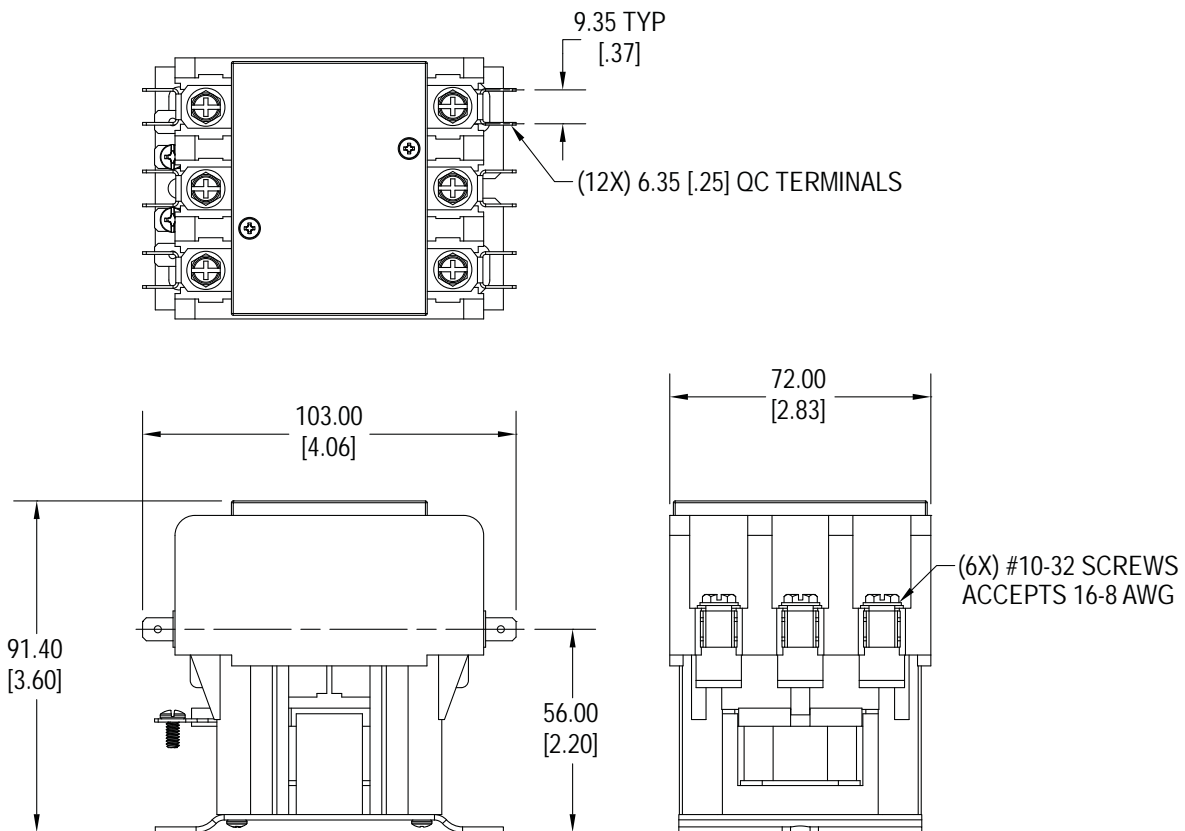
1. Series	C100	20A	2P	24V	L3
C100					
2. Contact Rating (Full Load Amp)	20A = 20FLA 30A = 30FLA 40A = 40FLA				
3. Contact Configuration	2P = 2PST Normally Open-DM (Double make per pole) 3P = 2PST Normally Open-DM (Double make per pole) *Only available in 40A				
4. Coil Voltage	24V = 24VAC 120V = 120VAC 277V = 277VAC 240V = 208-240VAC				
5. Termination	L1 = #10-32 Combination Phillips, Slotted & 5/16 Hex Head #12 Washer L2 = #10/32 Sems Screw with pressure plate L3 = #14-4 Lug with quad quick connect terminals (box lug with quick connect) AWG Cu/Al				
5. Option Code	Blank = Customer specific option				

Dimensions Dimensions are shown for reference only

Units = mm



2 Pole - C10020A2P120VL3 shown



3 Pole - C10020A4P24VL1 shown

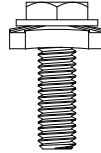
C100

Termination Options



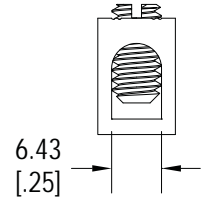
L1

**Standard on 20 & 30 FLA #10-32
Combination Phillip, Slotted & 5/16
Hex Head #12 Washer**



L2

**Special on 20 & 30 FLA #10-32
Sems Screw with Pressure Plate**



L3

**Standard on 40 FLA Lug, accepts
14-4 Cu/Al AWG**